

REV	DATE	MODIFICATION	DRAWN
	2016/09/07		

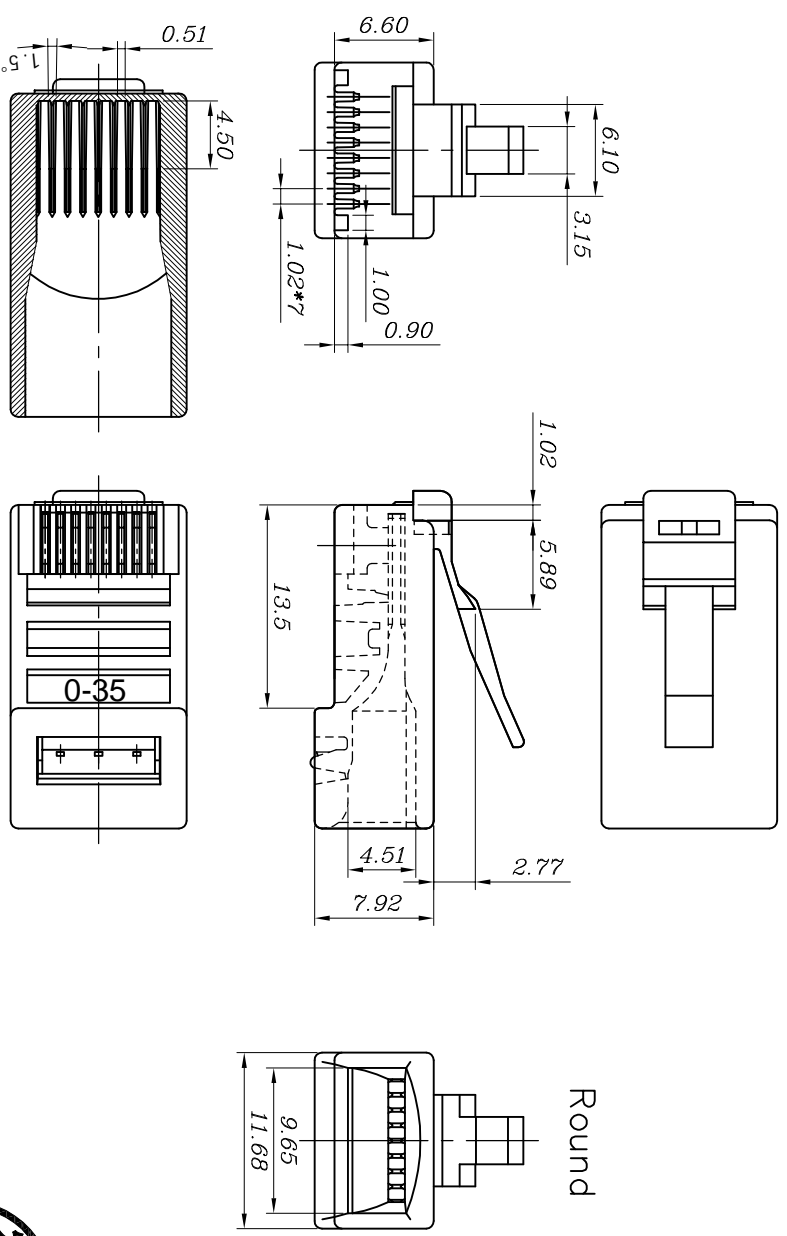
SPECIFICATIONS
1.ELECTRICAL:
UL APPLICATIONS: 250 VOLTS AC MAX. AT 2 AMPS.
DIELECTRIC WITHSTANDING VOLTAGE: 1000 VOLTS AC.
WITHSTAND VOLTAGE TIME: 60S
INSULATION RESISTANCE: 100M Ω.
TERMINATION: RESISTANCE 20m Ω MAX AFTER ENVIRONMENTAL TESTING.

2.MECHANICAL:
CABLE-TO-PLUG TENSILE STRENGTH: 20POUND MIN.
DURABILITY: 200 MATING CYCLES.
3.MATERIAL & FINISH:
HOUSING: POLYCARBONATE: UL94V-0 OR UL94V-2.
COLOR: TRANSPARENT OR OTHER COLOR ARE AVAILABLE.
CONTACT BLADE: COPPER ALLOY.
CONDUCTOR: STRANDED & SOLID WIRE. 24AWG, 26 AWG.
(It can be used for the wire OD from 0.96-01.02)
GOLD PLATING: 3u"-50u", ARE AVAILABLE.

规范
1. 电器:
UL应用最大250VOLTS AC.
介质耐电压伏特数:1000VOLTS AC.
耐压时间:60S.
绝缘阻抗:100百万欧姆,
终端阻抗:在环境测试后最大可承受20微欧姆终端阻抗.

2. 机构
拉力测试:至少20磅.
耐力测试:至少200次之插拔测试.
3. 材质表面处理
塑胶壳:聚碳酸酯 UL-94V-0 or UL94V-2.
颜色:透明,或者其他颜色亦可.
金片:铜合金.
导体:多股线&单股线 24AWG,26AWG.
(芯线直径: 0.096-01.02均可适用)
镀金厚度:3u"-50u",皆可提供.

客户用产品图



BLADE:	E	EB	Y	YB	Z	A	AE	AB	EC	AL	ZL	YBL
Drawing												
Mark					✓							
GOLD PLATING	3Mu"	3u"	6u"	15u"	30u"	50u"						
Mark					✓		CABLE TYPE	ROUND	FLAT			



宁波卓新通讯连接器有限公司
NINGBO EXCELLENCE COMMUNICATED CONNECTOR CO.,LTD

DIMENSION IN mm (Inch)	材 质	图 号
TOLERANCE UNLESS OTHERWISE SPECIFIED	MATERIAL	DWG NO.
.X±0.20	PC	PLUG-069A-0001
.XX±0.10	.XX°±2°	名称
		TITLE
审核	核对	制图
批准	检查	DRAWN
沈红波	钟均江	Cathyli
比例	张数	更改
SCALE 2/1	SHEET 1/1	REV
角法		
PROJ.		

6	ST-DR-009A	7
---	------------	---